

# MODEM SET UP



Set up your new modem with these easy steps.

## ARRIS CM82 MODEM

Get the most out of your entertainment experience and follow these instructions.

### DIFFICULTY

 Easy

### TIME TO COMPLETE


 Under 15 Minutes

### REQUIRED EQUIPMENT


 Computer, current modem, new router

## REMOVE OLD EQUIPMENT

1. Locate your current modem provided by Atlantic Broadband.
2. Unplug the modem from its power source.
3. Disconnect the cable line from the back of the modem.

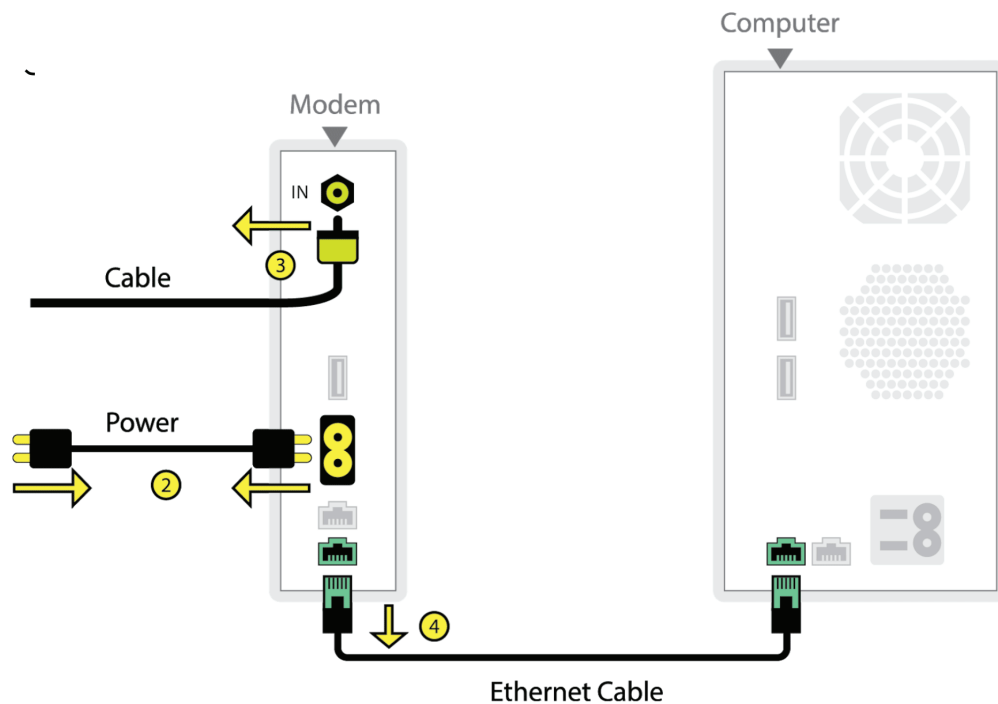
 **NOTE:** Do not disconnect the other end of the cable line from the wall or from any splitters.

4. Unplug the Ethernet cable that connects the wireless router to the modem, and disconnect any computers or devices you may have plugged into the router via the Ethernet cable.

 **NOTE:** Do not disconnect the other end of the Ethernet cable(s) from any computers or other devices

5. Place the old modem and wireless router aside. You can dispose of your old modem and wireless router or recycle them at a local electronics recycling center - there is no need to return them to us.

*(continued on next page)*



## CONNECT NEW EQUIPMENT

1. Remove your new modem and power cord from the box.
  - A. Reattach the cable line.
  - B. Plug the power cord to the power source.
  - C. Attach the power cord to the back of the modem.
  - D. Reconnect the Ethernet cables to any computer or devices you disconnected from the prior modem.
2. The new modem will update itself once connected, which may take 5-10 minutes. Once you see the top 4 lights glowing steady on the device, it is ready to use.

*(continued on next page)*

